

E100S EVALUATION BOARD USER GUIDE



Using the E100S:

This kit is designed for the evaluation and development of applications using the QT100-ISG Integrated Circuit (IC).

Refer to the QT100-ISG datasheet for details (see www.qprox.com/downloads).

- Insert the battery provided into the battery holder on the E100S board. Ensure that the battery has the correct orientation (negative (-) side to board) or the E100S will not work.
- Touch KEY and the LED will light. Remove the touch and the LED will switch off.

If the KEY is touched for >~60 seconds, the LED will switch off.

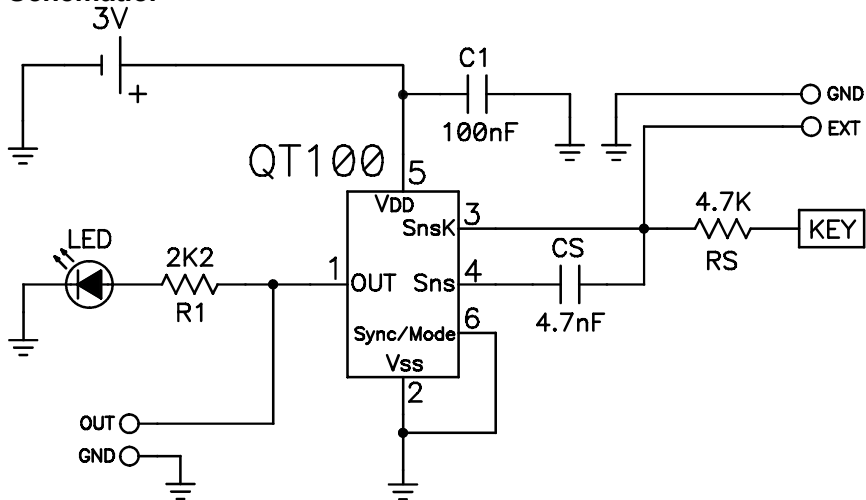
The E100S can be used to connect a User electrode to the QT100-ISG using EXT and GND pads. (The value of Cs may require changing. Large pads either side of Cs are available for fitting leaded capacitors in parallel).

The E100S can also connect to a User output using OUT and GND pads.

An external power supply can be used instead of a battery.

WARNING: if an external power supply is used then the battery **MUST** be removed.

Schematic:



E100S Kit Contents:

1x E100S Evaluation Board			
1x CR2032 Battery, 3V, 235mAh			
2x Sample QT100-ISG ICs			
<i>Packed by:</i>		<i>Dated:</i>	

Corporate Headquarters:

1 Mitchell Point

Ensign Way, Hamble

Southampton SO31 4RF

United Kingdom

Tel:+44 (0)23 8056 5600

Fax:+44 (0)23 8045 3939

North America:

651 Holiday Drive Bldg 5/300

Pittsburgh, PA 15220

USA

Tel:412-391-7367

Fax:412-291-1015

Developer: Martin Simmons

Copyright © 2007 QRG Ltd.

All rights reserved

Patented and patents pending

www.qprox.com

REV 100.1007

